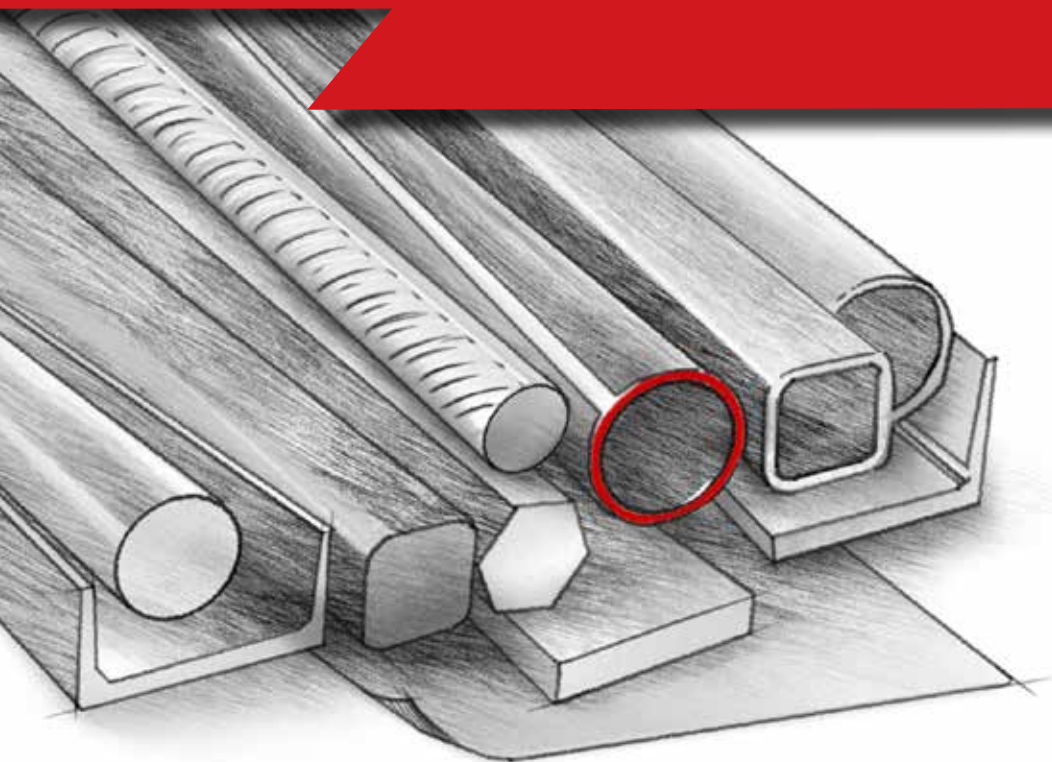


since 1979



FASTEEL

STEEL GUIDE



604-542-8881 • www.fasteel.ca • sales@fasteel.ca

sales@fasteel.ca
19176 21st Avenue, Surrey BC V3Z 3M3
604-542-8881 • www.fasteel.ca



For 40 years Fasteel has helped organizations in the fabrication, manufacturing, construction, transportation, utilities, forestry and numerous other sectors operate more profitably and efficiently by providing leading steel sales and service.

Fasteel's team combines product knowledge, customer contact and a service focus to make our customer's operations run leaner.

Fasteel's customers get the steel they need, when they need it.

At Fasteel, our mission is to provide our customers with value and superior service, to invest in our community, and provide a progressive atmosphere for our valued employees to succeed and prosper.

Based in the Campbell Heights industrial park in Surrey, BC, Fasteel has grown with the times but one thing that's never changed is our #1 priority – our customers.

PROCESSING CAPABILITIES

• Saw Cutting •

Controlled highspeed band saws for Precision cutting.

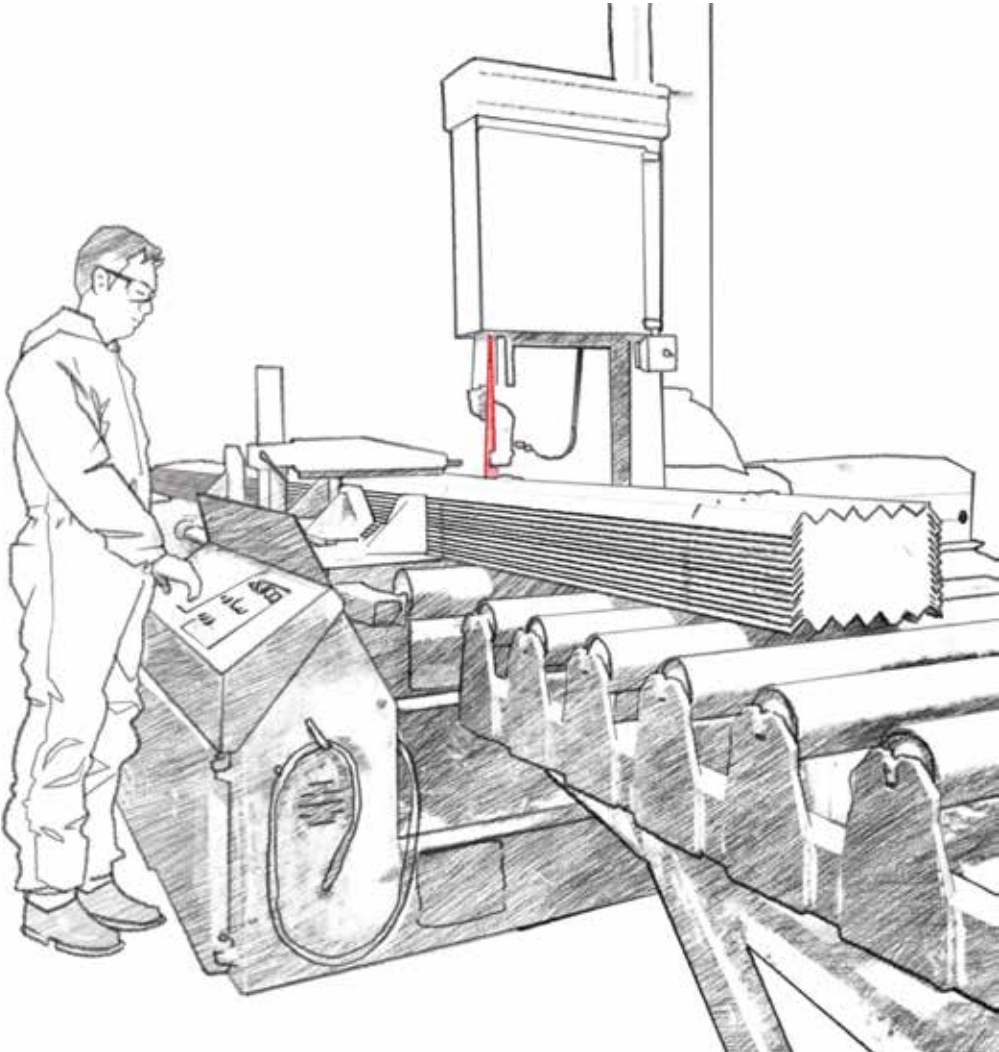
Mitre cutting available on request.

• Profile Plate Burning •

• Shearing + Forming •

• Wheelabrating + Priming •

• Cut-To-Length •



NOTE: This guide is a reference tool and not all items are common or regular stock items.

TABLE OF CONTENTS

Rounds	6
Squares	7
Hot Rolled Flats	8
Angles	10
Channels	12
I Beams	14
WF Beams	15
Plate	17
Plate Weights	20
Sheet	21
Floor Plate	22
CF Bars	23
Prec Bars	24
CF Squares	25
Pipe	26
HSS Tube	29
ERW	35
Expanded Metal	37
Bar Grating	39
Rebar	39





HOT ROLLED ROUNDS

A36/44W

HOT ROLLED ROUNDS

Diameter (Inches)	Weight per Foot	Weight per 20' Bar
1/8	0.042	0.84
3/16	0.094	1.96
1/4	0.167	3.34
5/16	0.261	5.22
3/8	0.376	7.52
7/16	0.511	10.22
1/2	0.668	13.36
9/16	0.845	16.90
5/8	1.040	20.80
3/4	1.50	30.00
7/8	2.04	40.80
1	2.67	53.40
1 1/8	3.38	67.60
1 1/4	4.17	83.40
1 3/8	5.05	101.00
1 1/2	6.01	120.20
1 3/4	8.18	163.60
2	10.68	213.60
2 1/4	13.52	270.40
2 1/2	16.69	333.80
2 3/4	20.20	404.00
3	24.03	480.60
3 1/4	28.21	564.20
3 1/2	32.743	654.86
3 3/4	37.587	751.74
4	42.766	855.32
4 1/2	54.125	1082.50
5	66.821	1336.42
5 1/2	80.854	1617.08
6	96.223	1924.46
6 1/2	112.93	2258.60
7	130.97	2619.40
7 1/2	150.35	3007.00
8	171.08	3421.60
8 1/2	193.13	3862.60
9	216.50	4330.00

HOT ROLLED SQUARES



A36/44W

Size (Inches)	Weight per Foot	Weight per 20' Bar
1/4	0.213	4.26
5/16	0.332	6.64
3/8	0.478	9.56
1/2	0.85	17.00
5/8	1.33	26.60
3/4	1.91	38.20
7/8	2.60	52.00
1	3.40	68.00
1 1/8	4.30	86.00
1 1/4	5.31	106.20
1 1/2	7.65	153.00
1 3/4	10.41	208.20
2	13.60	271.00
2 1/4	17.21	344.20
2 1/2	21.25	425.00
3	30.60	612.00
3 1/2	41.65	833.00
4	54.40	1088.00

HOT ROLLED SQUARES

HOT ROLLED FLATS

A36/44W

HOT ROLLED FLATS

Size (Inches)	Weight per Foot	Weight per 20' Bar	Size (Inches)	Weight per Foot	Weight per 20' Bar
1/8 x 1/2	0.213	4.26	1/4 x 4 1/2	3.83	76.60
5/8	0.266	5.32	5	4.25	85.00
3/4	0.319	6.38	5 1/2	4.68	93.60
1	0.425	8.50	6	5.10	102.00
1 1/4	0.531	10.62	7	5.95	119.00
1 1/2	0.638	12.76	8	6.80	136.00
1 3/4	0.744	14.88	9	7.654	153.00
2	0.850	17.00	10	8.50	170.00
2 1/2	1.063	21.26	12	10.20	204.00
3	1.275	25.50			
3 1/2	1.488	29.76	5/16 x 3/4	0.797	15.94
4	1.70	34.00	1	1.06	21.20
5	2.125	42.50	1 1/4	1.33	26.60
6	2.55	51.00	1 1/2	1.59	31.80
			1 3/4	1.86	37.20
3/16 x 1/2	0.319	6.38	2	2.13	42.60
5/8	0.398	7.96	2 1/2	2.66	53.20
3/4	0.478	9.56	3	3.19	63.80
1	0.638	12.76	3 1/2	3.72	74.40
1 1/4	0.797	15.94	4	4.25	85.00
1 1/2	0.956	19.12	5	5.31	106.20
1 3/4	1.12	22.40	6	6.38	127.60
2	1.28	25.60	8	8.50	170.00
2 1/4	1.43	28.60			
2 1/2	1.59	31.80	3/8 x 1/2	0.638	12.76
3	1.91	38.20	3/4	0.956	19.12
3 1/2	2.23	44.60	1	1.28	25.60
4	2.55	51.00	1 1/4	1.59	31.80
5	3.19	63.80	1 1/2	1.91	38.20
6	3.83	76.60	1 3/4	2.23	44.60
8	5.10	102.00	2	2.55	51.00
10	6.38	127.60	2 1/4	2.87	57.40
			2 1/2	3.19	63.80
1/4 x 1/2	0.425	8.50	3	3.83	76.60
3/4	0.638	12.76	3 1/2	4.46	89.20
1	0.85	17.00	4	5.10	102.00
1 1/4	1.06	21.20	4 1/2	5.74	114.80
1 1/2	1.28	25.60	5	6.38	127.60
1 3/4	1.49	29.80	5 1/2	7.01	140.20
2	1.7	34.00	6	7.65	153.00
2 1/4	1.91	38.20	7	8.93	178.60
2 1/2	2.13	42.60	8	10.2	204.00
3	2.55	51.00	9	11.48	229.60
3 1/2	2.98	59.60	10	12.75	255.00
4	3.4	68.00	12	15.30	306.00

HOT ROLLED FLATS



A36/44W

Size (Inches)	Weight per Foot	Weight per 20' Bar	Size (Inches)	Weight per Foot	Weight per 20' Bar
1/2 x 3/4	1.28	25.60	3/4 x 6	15.30	306.00
1	1.70	34.00	7	17.85	357.00
1 1/4	2.13	42.60	8	20.40	408.00
1 1/2	2.55	51.00	9	22.95	459.00
1 3/4	2.98	59.60	10	25.50	510.00
2	3.40	68.00	12	30.60	612.00
2 1/4	3.83	76.60			
2 1/2	4.25	85.00	7/8 x 2	5.95	119.00
3	5.10	102.00			
3 1/2	5.95	119.00	1 x 1 1/2	5.10	102.00
4	6.80	136.00	2	6.80	136.00
4 1/2	7.65	153.00	2 1/2	8.50	170.00
5	8.50	170.00	3	10.20	204.00
5 1/2	9.35	187.00	3 1/2	11.90	238.00
6	10.20	204.00	4	13.60	272.00
7	11.90	238.00	4 1/2	15.30	306.00
8	13.60	272.00	5	17.00	340.00
9	15.30	306.00	6	20.40	408.00
10	17	340.00	8	27.20	544.00
12	20.40	408.00	10	34.00	680.00
			12	40.80	816.00
5/8 x 1	2.13	42.60			
1 1/2	3.19	63.80	1 1/4 x 2	8.50	170.00
2	4.25	85.00	3	12.75	255.00
2 1/2	5.31	106.20	4	17.00	340.00
3	6.38	127.60	5	21.25	425.00
4	8.50	170.00	6	25.50	510.00
4 1/2	9.56	191.20			
5	10.63	212.60	1 1/2 x 2	10.20	204.00
6	12.75	255.00	2 1/2	12.75	255.00
7	14.88	297.60	3	15.30	306.00
8	17	340.00	4	20.40	408.00
10	21.25	425.00	5	25.50	510.00
12	25.50	510.00	6	30.60	612.00
			8	40.80	816.00
3/4 x 1	2.55	51.00			
1 1/4	3.19	63.80	2 x 3	20.40	408.00
1 1/2	3.83	76.60	4	27.20	544.00
2	5.10	102.00	6	40.80	816.00
2 1/2	6.38	127.60	8	54.40	1088.00
3	7.65	153.00			
3 1/2	8.93	178.60			
4	10.20	204.00			
4 1/2	11.48	229.60			
5	12.75	255.00			

HOT ROLLED FLATS



BAR SIZE ANGLES

A36/44W

BAR SIZE ANGLES

Size (Inches)	Weight per Foot	Weight per 20' Bar
1/2 x 1/2 x 1/8	0.38	7.60
3/4 x 3/4 x 1/8	0.59	11.80
1 x 1 x 1/8	0.80	16.00
x 3/16	1.16	23.20
x 1/4	1.49	29.80
1 1/4 x 1 1/4 x 1/8	1.01	20.20
x 3/16	1.48	29.60
x 1/4	1.92	38.40
1 1/2 x 1 1/2 x 1/8	1.23	24.60
x 3/16	1.80	36.00
x 1/4	2.34	46.80
x 5/16	2.86	57.20
x 3/8	3.35	67.00
1 3/4 x 1 3/4 x 1/8	1.44	28.80
x 3/16	2.12	42.20
x 1/4	2.77	55.40
2 x 1 1/2 x 1/8	1.44	28.80
x 3/16	2.12	42.40
x 1/4	2.77	55.40
2 x 2 x 1/8	1.65	33.00
x 3/16	2.44	48.80
x 1/4	3.19	63.80
x 5/16	3.92	78.40
x 3/8	4.70	94.00
2 1/2 x 1 1/2 x 3/16	2.44	48.80
x 1/4	3.19	63.80
2 1/2 x 2 x 3/16	2.75	55.00
x 1/4	3.62	72.40
x 5/16	4.50	90.00
x 3/8	5.30	106.00
2 1/2 x 2 1/2 x 3/16	3.07	61.40
x 1/4	4.10	82.00
x 5/16	5.00	100.00
x 3/8	5.90	118.00
x 1/2	7.70	154.00

STRUCTURAL ANGLES

ASTM - A36 - CSA G40.21-44W



Size (Inches)	Weight per Foot	Weight per 20' Bar	Size (Inches)	Weight per Foot	Weight per 20' Bar
3 x 2 x 3/16	3.07	61.4	5 x 3 x 3/8	9.80	196
x 1/4	4.10	82	x 1/2	12.80	256
x 5/16	5.00	100			
x 3/8	5.90	118	5 x 3 1/2 x 1/4	7.00	140
			x 5/16	8.70	174
3 x 2 1/2 x 1/4	4.50	90	x 3/8	10.40	208
x 5/16	5.60	112	x 1/2	13.60	272
x 3/8	6.60	132			
			5 x 5 x 5/16	10.30	206
3 x 3 x 3/16	3.71	74.2	x 3/8	12.30	246
x 1/4	4.90	98	x 1/2	16.20	324
x 5/16	6.10	122	x 5/8	20.00	400
x 3/8	7.20	144	x 3/4	23.60	472
x 1/2	9.40	188			
			6 x 3 1/2 x 5/16	9.80	196
3 1/2 x 2 1/2 x 1/4	4.90	98	x 3/8	11.70	234
x 5/16	6.10	122	x 1/2	15.30	306
x 3/8	7.20	144			
x 1/2	9.40	188	6 x 4 x 5/16	10.30	206
			x 3/8	12.30	246
3 1/2 x 3 x 1/4	5.40	108	x 1/2	16.20	324
x 5/16	6.60	132	x 5/8	20.00	400
x 3/8	7.90	158	x 3/4	23.60	472
3 1/2 x 3 1/2 x 1/4	5.80	116	6 x 6 x 5/16	12.40	248
x 5/16	7.20	144	x 3/8	14.90	298
x 3/8	8.50	170	x 1/2	19.60	392
x 1/2	11.10	222	x 5/8	24.20	484
			x 3/4	28.76	574
4 x 3 x 1/4	5.80	116	x 1	37.40	748
x 5/16	7.20	144			
x 3/8	8.50	170	7 x 4 x 3/8	13.60	272
x 1/2	11.10	222	x 1/2	17.90	358
4 x 3 1/2 x 1/4	6.20	124	8 x 4 x 1/2	19.60	392
x 5/16	7.70	154	x 3/4	28.70	574
x 3/8	9.10	182	x 1	37.40	748
4 x 4 x 1/4	6.60	132	8 x 6 x 1/2	23.00	460
x 5/16	8.20	164	x 5/8	28.50	570
x 3/8	9.80	196	x 3/4	33.80	676
x 1/2	12.80	256	x 1	44.20	884
x 5/8	15.70	314			
x 3/4	18.50	370	8 x 8 x 1/2	26.40	528
			x 3/4	38.90	778
5 x 3 x 1/4	6.60	132	x 1	51.00	1020
x 5/16	8.20	164			

STRUCTURAL ANGLES



STRUCTURAL CHANNELS

ASTM - A36 or CSA G40.21-44W or equivalent

Stock Lengths: 20 and 40 feet

STRUCTURAL CHANNELS

New Designation		Weight per Foot	Weight per 20' Bar	Flange		Web Thick- ness	Section Modulus		
ASTM Imp.	Cdn. Metric			Width	Thick- ness				
C 3	x 4.1	C 75	x 6	4.10	82	1.410	0.273	0.170	1.10
	x 5		x 7	5.00	100	1.498	0.273	0.258	1.24
	x 6		x 9	6.00	120	1.596	0.273	0.356	1.38
C 4	x 5.4	C 100	x 8	5.40	108	1.580	0.296	0.180	1.93
	x 6.25		x 10	6.25	125	1.647	0.296	0.247	2.10
	x 7.25		x 11	7.25	145	1.720	0.296	0.320	2.29
C 5	x 6.7	C 130	x 10	6.70	134	1.750	0.320	0.190	3.00
	x 9		x 13	9.00	180	1.885	0.320	0.325	3.56
C 6	x 8.2	C 150	x 12	8.20	164	1.920	0.343	0.200	4.38
	x 10.5		x 16	10.50	210	2.034	0.343	0.314	5.06
	x 13		x 19	13.00	260	2.157	0.343	0.437	5.80
C 7	x 9.8	C 180	x 15	9.80	196	2.090	0.366	0.210	6.08
	x 12.25		x 18	12.25	245	2.194	0.366	0.314	6.93
C 8	x 11.5	C 200	x 17	11.50	230	2.260	0.390	0.220	8.14
	x 13.75		x 21	13.75	275	2.343	0.390	0.303	9.03
	x 18.75		x 28	18.75	375	2.527	0.390	0.487	11.00
C 9	x 13.4	C 230	x 20	13.40	268	2.430	0.413	0.230	10.60
	x 15		x 22	15.00	300	2.485	0.413	0.285	11.30
	x 20		x 30	20.00	400	2.648	0.413	0.448	13.50
C 10	x 15.3	C 250	x 23	15.30	306	2.600	0.436	0.240	13.50
	x 20		x 30	20.00	400	2.739	0.436	0.379	15.80
	x 25		x 37	25.00	500	2.886	0.436	0.526	18.20
	x 30		x 45	30.00	600	3.033	0.436	0.673	20.70
C 12	x 20.7	C 310	x 31	20.70	414	2.940	0.501	0.280	21.50
	x 25		x 37	25.00	500	3.047	0.501	0.387	24.10
	x 30		x 45	30.00	600	3.170	0.501	0.510	27.00
C 15	x 33.9	C 380	x 50	33.90	678	3.400	0.650	0.400	42.00
	x 40		x 60	40.00	800	3.520	0.650	0.520	46.50
	x 50		x 74	50.00	1000	3.716	0.650	0.716	53.80

BAR SIZE CHANNELS (C)

MBQ to ASTM - A36 or CSA G40.21-44W or equivalent

Stock Lengths: 20 and 40 feet

Size (Inches)	Weight per Foot	Weight per 20' Bar
3/4 x 3/8 x 1/8	0.56	11.2
1 x 1/2 x 1/8	0.83	16.6
1 1/2 x 1/2 x 1/8	1.13	22.6
2 x 1/2 x 1/8	1.33	26.6
2 x 1 x 1/8	1.78	35.6
2 x 1 x 3/16	2.57	51.4

SHIP CHANNELS (MC)

ASTM - A36 or CSA G40.21-44W or equivalent



New Designation		Weight per Foot	Weight per 20' Bar	Flange Width	Web Thickness	Section Modulus
ASTM Imp.	Cdn. Metric					
MC 4 x 13.8	MC 100 x 20.5	13.80	276	2.50	0.500	4.46
6 x 12	150 x 17.9	12.00	240	2.50	0.313	6.24
6 x 15.1	150 x 22.5	15.10	302	3.00	0.313	8.32
6 x 15.3	150 x 24.3	15.30	306	3.50	0.340	8.47
6 x 16.3	150 x 22.8	16.30	326	3.00	0.375	8.68
8 x 21.4	200 x 31.8	21.40	428	3.50	0.375	15.40
MC 10 x 22	250 x 33	22.00	440	3.375	0.313	20.70
10 x 25	250 x 37	25.00	500	3.375	0.375	21.37
12 x 31	310 x 46.0	31.00	620	3.625	0.375	32.89
MC 10 x 22	250 x 33	22.00	440	3.375	0.290	20.70

BAR SIZE CHANNELS & SHIP CHANNELS

JUNIOR I BEAMS

Size (Inches)	Weight per Foot	Weight per 25'6" Bar	Depth	Flange		Web Thickness
				Width	Thickness	
3 @ 2.9 JR Beams	2.9	73.95	3	2 1/4	0.127	0.092
4 @ 3.2 JR Beams	3.2	81.6	4	2 1/4	0.129	0.092

STRUCTURAL I BEAMS (S)

ASTM - A36 or CSA G40.21-44W or equivalent

I BEAMS

New Designation		Weight per Foot	Weight per 20' Bar	Flange		Web Thickness	Section Modulus
ASTM Imp.	Cdn. Metric			Width	Thickness		
S3 x 5.7	S 75 x 8	5.70	114	2.330	0.260	0.170	1.68
x 7.5	x 11	7.50	150	2.509	0.260	0.349	1.95
S4 x 7.7	S100 x 11	7.70	154	2.660	0.293	0.190	3.04
x 9.5	x 14.1	9.50	190	2.796	0.293	0.326	3.39
S5 x 10	S130 x 15	10.00	200	3.000	0.326	0.210	4.92
x 14.75	x 22	14.75	295	3.284	0.326	0.494	6.09
S 6 x 12.5	S 150 x 19	12.50	250	3.330	0.359	0.230	7.37
x 17.25	x 26	17.25	345	3.565	0.359	0.465	8.77
S 8 x 18.4	S 200 x 27	18.40	368	4.000	0.425	0.270	14.40
x 23	x 34	23.00	460	4.171	0.425	0.441	16.20
S 10 x 25.4	S 250 x 38	25.40	508	4.660	0.491	0.310	24.70
x 35	x 52	35.00	700	4.994	0.491	0.594	29.40
S 12 x 31.8	S 310 x 47	31.80	636	5.000	0.544	0.350	36.40
x 35	x 52	35.00	700	5.078	0.544	0.428	38.00
x 40.8	x 60.7	40.80	816	5.250	0.659	0.460	45.40
S 15 x 42.9	S 380 x 64	42.90	858	5.500	0.622	0.410	59.60
x 50	x 74	50.00	1000	5.640	0.622	0.550	64.80

WIDE FLANGE & MISC. SHAPES



ASTM - A36 - CSA G40.21-44W

New Designation		Weight per Foot	Depth per Section	Flange		Web Thickness	Section Modulus
ASTM Imp.	Cdn. Metric			Width	Thickness		
SLB 4 x 3.2	W 100 x 4.76	3.20	4.00	2.25	0.129	0.092	1.33
W 4 x 13	W 100 x 19	13.00	4.16	4.06	0.345	0.280	5.46
W 5 x 16	W 130 x 24	16.00	5.01	5.00	0.360	0.240	8.55
x 19	x 28	19.00	5.15	5.03	0.430	0.270	10.20
W 6 x 9	W 150 x 14	9.00	5.90	3.94	0.215	0.170	5.56
x 12	x 18	12.00	6.03	4.00	0.280	0.230	7.31
x 15	x 22	15.00	5.99	5.99	0.260	0.230	9.72
x 20	x 30	20.00	6.20	6.02	0.365	0.260	13.40
x 25	x 37	25.00	6.38	6.08	0.455	0.320	16.70
W 8 x 10	W 200 x 15	10.00	7.89	3.94	0.205	0.170	7.81
x 13	x 19	13.00	7.99	4.00	0.255	0.230	9.91
x 14	x 21	14.00	7.98	5.21	0.250	0.195	11.80
x 15	x 22	15.00	8.11	4.02	0.315	0.245	11.80
x 18	x 27	18.00	8.14	5.25	0.330	0.230	15.20
x 21	x 31	21.00	8.28	5.27	0.400	0.250	18.20
x 24	x 36	24.00	7.93	6.50	0.400	0.245	20.90
x 28	x 42	28.00	8.06	6.54	0.465	0.285	24.30
x 31	x 46	31.00	8.00	8.00	0.435	0.285	27.50
x 35	x 52	35.00	8.12	8.02	0.495	0.310	31.20
x 40	x 59	40.00	8.25	8.07	0.560	0.360	35.50
x 48	x 71	48.00	8.50	8.11	0.685	0.400	43.30
x 58	x 86	58.00	8.75	8.22	0.810	0.510	52.00
W 10 x 12	W 250 x 18	12.00	9.87	3.96	0.210	0.190	10.90
x 15	x 22	15.00	9.99	4.00	0.270	0.230	13.80
x 16	x 24	16.00	9.95	5.71	0.250	0.195	16.60
x 19	x 28	19.00	10.24	4.02	0.395	0.250	18.80
x 22	x 33	22.00	10.17	5.75	0.360	0.240	23.20
x 26	x 39	26.00	10.35	5.77	0.440	0.260	27.90
x 30	x 45	30.00	10.47	5.81	0.510	0.300	32.40
x 33	x 49	33.00	9.73	7.96	0.435	0.290	35.00
x 39	x 58	39.00	9.92	7.98	0.530	0.315	42.10
x 45	x 67	45.00	10.10	8.02	0.620	0.350	49.10
x 49	x 73	49.00	9.98	10.00	0.560	0.340	54.60
x 54	x 80	54.00	10.09	10.03	0.615	0.370	60.00
x 68	x 101	68.00	10.40	10.13	0.770	0.470	75.80
W 12 x 14	W 310 x 21	14.00	11.91	3.97	0.225	0.200	14.90
x 16	x 24	16.00	11.99	3.97	0.265	0.220	17.10
x 19	x 28	19.00	12.16	4.00	0.350	0.235	21.30
x 21	x 31	21.00	12.04	6.45	0.290	0.195	26.70
x 22	x 33	22.00	12.31	4.03	0.425	0.260	25.40
x 26	x 39	26.00	12.22	6.49	0.380	0.230	33.40
x 30	x 45	30.00	12.34	6.52	0.440	0.260	38.60
x 35	x 52	35.00	12.50	6.56	0.520	0.300	45.60
x 40	x 60	40.00	11.94	8.00	0.515	0.295	51.90
x 45	x 67	45.00	12.06	8.04	0.575	0.335	58.10
x 50	x 74	50.00	12.19	8.08	0.640	0.375	64.70

WIDE FLANGE & MISCELLANEOUS SHAPES



WIDE FLANGE & MISC. SHAPES

ASTM - A36 - CSA G40.21-44W

WIDE FLANGE & MISCELLANEOUS SHAPES

New Designation		Weight per Foot	Depth per Section	Flange		Web Thickness	Section Modulus
ASTM Imp.	Cdn. Metric			Width	Thickness		
x 53	x 79	53.00	12.06	10.00	0.575	0.345	70.60
x 58	x 86	58.00	12.19	10.01	0.640	0.360	78.00
x 65	x 97	65.00	12.12	12.00	0.605	0.390	87.90
x 72	x 107	72.00	12.25	12.04	0.670	0.430	97.40
x 79	x 118	79.00	12.38	12.08	0.735	0.470	107.00
W 14 x 22	W 360 x 33	22.00	13.74	5.00	0.335	0.230	29.00
x 26	x 39	26.00	13.91	5.02	0.420	0.255	35.30
x 30	x 45	30.00	13.84	6.73	0.385	0.270	42.00
x 34	x 51	34.00	13.98	6.74	0.455	0.285	48.60
x 38	x 57	38.00	14.10	6.77	0.515	0.310	54.60
x 43	x 64	43.00	13.66	8.00	0.530	0.305	62.70
x 53	x 79	53.00	13.92	8.06	0.660	0.370	77.80
x 61	x 91	61.00	13.89	10.00	0.645	0.375	92.20
x 68	x 101	68.00	14.04	10.04	0.720	0.415	103.00
W 16 x 26	W 410 x 39	26.00	15.69	5.50	0.345	0.250	38.40
x 31	x 46	31.00	15.88	5.52	0.440	0.275	47.20
x 36	x 54	36.00	15.86	6.98	0.430	0.295	56.50
x 40	x 60	40.00	16.01	7.00	0.505	0.305	64.70
x 45	x 67	45.00	16.13	7.04	0.565	0.345	72.70
x 50	x 74	50.00	16.26	7.07	0.630	0.380	81.00
x 57	x 85	57.00	16.37	7.12	0.715	0.430	92.20
W 18 x 35	W 460 x 52	35.00	17.70	6.00	0.425	0.300	57.60
x 40	x 60	40.00	17.90	6.02	0.525	0.315	68.40
x 41	x 61	41.00	17.70	7.45	0.425	0.320	70.30
x 45	x 67	45.00	17.86	7.48	0.499	0.335	80.50
x 46	x 68	46.00	18.06	6.06	0.605	0.360	78.80
x 50	x 74	50.00	17.99	7.50	0.570	0.355	88.90
x 55	x 82	55.00	18.11	7.53	0.630	0.390	98.30
x 60	x 89	60.00	18.24	7.56	0.695	0.415	108.00
x 65	x 97	65.00	18.35	7.59	0.750	0.450	117.00
W 21 x 44	W 530 x 66	44.00	20.66	6.50	0.450	0.350	81.60
x 48	x 72	48.00	20.62	8.14	0.430	0.430	93.80
x 55	x 82	55.00	20.80	8.22	0.522	0.375	110.00
x 62	x 92	62.00	20.99	8.24	0.615	0.400	127.00
x 68	x 101	68.00	21.13	8.27	0.685	0.430	140.00
x 73	x 109	73.00	21.24	8.30	0.740	0.455	151.00
x 83	x 123	83.00	21.43	8.36	0.835	0.515	171.00
W 24 x 56	W 610 x 84	56.00	23.48	8.90	0.460	0.355	125.00
x 61	x 91	61.00	23.56	8.93	0.500	0.380	136.00
x 68	x 101	68.00	23.73	8.96	0.585	0.415	154.00
x 76	x 113	76.00	23.92	8.99	0.680	0.440	176.00
x 84	x 125	84.00	24.10	9.02	0.770	0.470	196.00
x 94	x 140	94.00	24.31	9.06	0.875	0.515	222.00
x 104	x 155	104.00	24.06	12.75	0.750	0.500	258.00
x 117	x 174	117.00	24.26	12.80	0.850	0.550	291.00
x 131	x 195	131.00	24.28	12.86	0.960	0.605	329.00
x 146	x 217	146.00	24.74	12.90	1.090	0.650	371.00

STEEL PLATE

ASTM - A36 / 44W / AR

Size (Inches)	Weight per Plate	Size (Inches)	Weight per Plate
3/16 x 48 x 96	245.12	5/16 x 48 x 96	408.32
x 120	306.40	x 120	510.40
x 144	367.68	x 144	612.48
x 240	612.80	x 240	1020.80
x 288	735.36	x 288	1224.96
60 x 120	383.00	60 x 120	638.00
x 144	459.60	x 144	765.60
x 240	766.00	x 240	1276.00
x 288	919.20	x 288	1531.20
72 x 120	459.60	72 x 120	765.60
x 144	551.52	x 144	918.72
x 240	919.20	x 240	1531.20
x 288	1103.04	x 288	1837.44
84 x 120	536.20	x 384	2449.92
x 144	643.44	84 x 120	893.20
x 240	1072.40	x 144	1071.84
x 288	1286.88	x 240	1786.40
96 x 120	612.80	x 288	2143.68
x 144	735.36	96 x 120	1020.80
x 240	1225.60	x 144	1224.96
x 288	1470.72	x 240	2041.60
		x 288	2449.92
1/4 x 48 x 96	326.72		
x 120	408.40	3/8 x 48 x 96	490.24
x 144	490.08	x 120	612.80
x 240	816.80	x 144	735.36
x 288	980.16	x 240	1225.60
60 x 120	510.50	x 288	1470.72
x 144	612.60	60 x 120	766.00
x 240	1021.00	x 144	919.20
x 288	1225.20	x 240	1532.00
72 x 120	612.60	x 288	1838.40
x 144	735.12	72 x 120	919.20
x 240	1225.20	x 144	1103.04
x 288	1470.24	x 240	1838.40
84 x 120	714.70	x 288	2206.08
x 144	857.64	x 384	2941.44
x 240	1429.40	84 x 120	1072.40
x 288	1715.28	x 144	1286.88
96 x 120	816.80	x 240	2144.80
x 144	980.16	x 288	2573.76
x 240	1633.60	96 x 120	1225.60
x 288	1960.32	x 144	1470.72
		x 240	2451.20
		x 288	2941.44

STEEL PLATE

STEEL PLATE

ASTM - A36 / 44W / AR

STEEL PLATE

Size (Inches)	Weight per Plate	Size (Inches)	Weight per Plate
1/2 x 48 x 96	653.44	3/4 x 48 x 96	980.16
x 120	816.80	x 120	1225.20
x 144	980.16	x 144	1470.24
x 240	1633.60	x 240	2450.40
x 288	1960.32	x 288	2940.48
60 x 120	1021.00	60 x 120	1531.50
x 144	1225.20	x 144	1837.80
x 240	2042.00	x 240	3063.00
x 288	2450.40	x 288	3675.60
72 x 120	1225.20	72 x 120	1837.80
x 144	1470.24	x 144	2205.36
x 240	2450.40	x 240	3675.60
x 288	2940.48	x 288	4410.72
84 x 120	1429.40		
x 144	1715.28	3/4 x 72 x 384	5880.96
x 240	2858.80	96 x 120	2450.40
x 288	3430.56	x 144	2940.48
x 384	4574.28	x 240	4900.80
96 x 120	1633.60	x 288	5880.96
x 144	1960.32		
x 240	3267.20	7/8 x 48 x 96	1143.68
x 288	3920.64	x 120	1429.60
		x 144	1715.52
5/8 x 48 x 96	816.96	x 240	2859.20
x 120	1021.20	x 288	3431.04
x 144	1225.44	60 x 120	1787.00
x 240	2042.40	x 144	2144.40
x 288	2450.88	x 240	3574.00
60 x 120	1276.50	72 x 288	5146.56
x 144	1531.80	96 x 120	2859.20
x 240	2553.00	x 144	3431.04
x 288	3063.60	x 240	5716.80
72 x 120	1531.80	x 288	6860.16
x 144	1838.16		
x 240	3063.60		
x 288	3676.32		
x 384	4901.76		
96 x 120	2042.40		
x 144	2450.88		
x 240	4084.80		
x 288	4901.76		

STEEL PLATE

ASTM - A36 / 44W / AR

Size (Inches)	Weight per Plate	Size (Inches)	Weight per Plate
1 x 48 x 96	1306.88	2 1/4 x 60 x 240	9189.00
x 120	1633.60		
x 144	1960.32	2 1/2 x 48 x 96	3267.20
x 240	3267.20	60 x 240	10210.00
x 288	3920.64	72 x 192	9801.60
60 x 120	2042.00	96 x 192	13068.80
x 144	2450.40		
x 240	4084.00	2 3/4 x 72 x 192	10781.76
x 288	4900.80		
72 x 120	2450.40	3 x 48 x 120	4900.80
x 144	2940.48	72 x 192	11761.92
x 240	4900.80	96 x 120	9801.60
x 288	5880.96	x 240	19603.20
96 x 120	3267.20	3 1/2x 48 x 96	4573.76
x 144	3920.64	72 x 120	8575.80
x 240	6534.40	96 x 120	11434.40
x 288	7841.28		
		4 x 72 x 120	9804.00
1 1/8 x 48 x 96	1470.40	84 x 240	22876.00
96 x 288	8822.40	96 x 120	13072.00
1 1/4 x 48 x 96	1633.60	4 1/2 x 72 x 120	11028.00
x 120	2042.00		
		5 x 72 x 120	11252.00
1 1/4 x 72 x 288	7351.20		
96 x 288	9801.60	6 x 60 x 120	11251.50
1 3/8 x 96 x 288	10780.80		
1 1/2 x 48 x 96	1960.32		
72 x 288	8821.44		
96 x 288	11761.92		
1 5/8x 72 x 288	9555.84		
1 3/4 x 48 x 96	2287.04		
72 x 240	8576.40		
96 x 240	11435.20		
2 x 48 x 96	2613.76		
60 x 240	8168.00		
72 x 240	9801.60		
x 288	11761.92		
96 x 288	15682.56		

STEEL PLATE

STEEL PLATE

Weights in Pounds Per Square Foot

STEEL PLATE & SLABS

Thickness (Inches)	Theoretical Weight (lbs/sq ft)	Thickness (Inches)	Theoretical Weight (lbs/sq ft)
1/32	1.28	3 1/8	127.62
1/16	2.55	3 1/4	132.72
3/32	3.83	3 3/8	137.83
1/8	5.10	3 1/2	142.93
5/32	6.38	3 5/8	148.04
3/16	7.66	3 3/4	153.14
7/32	8.93	3 7/8	158.25
1/4	10.21	4	163.35
9/32	11.49	4 1/8	168.46
5/16	12.76	4 1/4	173.56
11/32	14.04	4 3/8	178.67
3/8	15.32	4 1/2	183.77
13/32	16.59	4 5/8	188.88
7/16	17.87	4 3/4	193.98
15/32	19.14	4 7/8	199.09
1/2	20.42	5	204.19
9/16	22.97	5 1/8	209.30
5/8	25.53	5 1/4	214.40
11/16	28.08	5 3/8	219.51
3/4	30.63	5 1/2	224.61
13/16	33.18	5 5/8	229.72
7/8	35.73	5 3/4	234.82
15/16	38.29	5 7/8	239.93
1	40.84	6	245.06
1 1/16	43.39	6 1/8	250.14
1 1/8	45.95	6 1/4	255.24
1 3/16	48.50	6 3/8	260.34
1 1/4	51.05	6 1/2	265.45
1 5/16	53.60	6 5/8	270.55
1 3/8	56.15	6 3/4	275.66
1 7/16	58.71	6 7/8	280.76
1 1/2	61.26	7	285.87
1 5/8	66.36	7 1/8	290.97
1 3/4	71.47	7 1/4	296.08
1 7/8	76.57	7 3/8	301.18
2	81.68	7 1/2	306.29
2 1/8	86.78	7 5/8	311.39
2 1/4	91.89	7 3/4	316.50
2 3/8	96.99	7 7/8	321.60
2 1/2	102.10	8	326.71
2 5/8	107.20	8 1/2	347.13
2 3/4	112.32	9	367.55
2 7/8	117.41	10	408.38
3	122.52		

HOT ROLLED SHEET

A569

Size (Inches)	Weight per Sheet	Size (Inches)	Weight per Sheet
10 ga. 48 x 96	186.30	14 ga. 48 x 96	103.49
x 120	232.88	x 120	129.36
x 144	279.46	x 144	155.23
60 x 120	291.10	60 x 120	161.70
x 144	349.32	x 144	194.04
72 x 120	349.32		
x 144	419.18	16 ga. 48 x 96	82.78
x 240	698.64	x 120	103.48
		x 144	124.18
11 ga. 48 x 96	165.60	60 x 120	129.35
x 120	207.00	x 144	155.22
x 144	248.40		
60 x 120	258.75		
x 144	310.50		
72 x 144	372.60		
x 240	621.00		
12 ga. 48 x 96	144.90		
x 120	181.12		
x 144	217.34		
60 x 120	226.40		
x 144	271.68		
72 x 120	271.68		
x 144	326.02		

HOT ROLLED SHEET

HOT ROLLED SHEET GAUGE

Weights may vary due to production tolerances

Gauge	Decimal Thickness	Theoretical Weight per Square Foot
10	.1345	5.822
11	.1196	5.175
12	.1046	4.528
14	.0747	3.234
16	.0598	2.587
18	.0516	2.156
20	.0396	1.656
22	.0336	1.406
24	.0217	1.156

FLOOR PLATE (CHECKER PLATE)

4-Way Safety Pattern

FLOOR PLATE

Size (Inches)	Theoretical Weight per Plate	Size (Inches)	Theoretical Weight per Plate
14 ga. 48 x 96	126.50	1/4 x 60 x 288	1350.00
		72 x 96	540.00
1/8 x 48 x 96	196.80	x 120	675.00
x 120	246.00	x 144	810.00
x 144	295.20	x 240	1350.00
x 240	492.00	x 288	1620.00
60 x 120	307.50	96 x 240	1800.00
x 240	615.00	96 x 288	2160.00
3/16 x 48 x 96	278.40	3/8 x 48 x 96	523.20
x 120	348.00	x 120	654.00
x 144	417.60	x 144	784.80
x 240	696.00	x 240	1308.00
x 288	835.20	x 288	1569.60
60 x 96	348.00	60 x 96	654.00
x 120	435.00	x 120	817.50
x 144	522.00	x 144	981.00
x 240	870.00	x 240	1635.00
x 288	1044.00	x 288	1962.00
72 x 96	417.60	72 x 96	784.80
x 120	522.00	x 120	981.00
x 144	626.40	x 144	1177.20
x 240	1044.00	x 240	1962.00
x 280	1252.00	x 288	2354.40
1/4 x 48 x 96	360.00	1/2 x 48 x 96	686.40
x 120	450.00	x 120	858.00
x 144	540.00	x 144	1029.60
x 240	900.00	x 240	1716.00
x 288	1080.00	x 288	2059.00
60 x 96	450.00	72 x 96	1029.60
x 120	562.50	x 120	1287.00
x 144	675.00	x 144	1544.40
x 240	1125.00	x 240	2574.00
		x 288	3088.80

FLOOR PLATE THEORETICAL WEIGHTS

Gauge	Decimal	Theoretical Weight per Square Foot
14 ga.	0.0747	3.75
1/8 in.	0.125	6.15
3/16 in.	0.1875	8.70
1/4 in.	0.250	11.25
5/16 in.	0.3125	13.80
3/8 in.	0.375	16.35
1/2 in.	0.500	21.45

COLD FINISHED ROUNDS



C1018

Stock Lengths:

3/8 and under - Random 10 - 20 ft

7/8 and over Random 20 ft

Size (Inches)	Weight per Foot	Weight per 20' Bar	Size (Inches)	Weight per Foot	Weight per 20' Bar
1/8	0.042	0.84	1 7/8	9.39	187.80
3/16	0.094	1.88	1 15/16	10.02	200.40
1/4	0.167	3.34	2	10.68	213.60
5/16	0.261	5.22	2 1/16	11.36	227.20
3/8	0.376	7.52	2 1/8	12.06	241.20
7/16	0.511	10.22	2 3/16	12.78	255.60
1/2	0.668	13.36	2 1/4	13.52	270.40
9/16	0.845	16.90	2 3/8	15.06	301.20
5/8	1.04	20.80	2 7/16	15.87	317.40
1 1/16	1.26	25.20	2 1/2	16.69	333.80
3/4	1.50	30.00	2 11/16	19.29	385.80
1 3/16	1.76	35.20	2 3/4	20.20	404.00
7/8	2.04	40.80	2 13/16	21.12	422.40
15/16	2.35	47.00	2 15/16	23.04	460.80
1	2.67	53.40	3	24.03	480.60
1 1/16	3.01	60.20	3 3/16	27.13	542.60
1 1/8	3.38	67.60	3 1/4	28.21	564.20
1 3/16	3.77	75.40	3 7/16	31.55	631.00
1 1/4	4.17	83.40	3 1/2	32.71	654.20
1 5/16	4.60	92.00	3 11/16	36.31	726.20
1 3/8	5.05	101.00	3 15/16	41.40	828.00
1 7/16	5.52	110.40	4	42.73	854.60
1 1/2	6.01	120.20	4 1/4	48.23	964.60
1 9/16	6.52	130.40	4 7/16	52.58	1051.60
1 5/8	7.05	141.00	4 15/16	65.10	1302.00
1 11/16	7.60	152.00	5	66.76	1335.20
1 3/4	8.18	163.60	5 7/16	78.95	1579.00
1 13/16	8.77	174.40	5 15/16	94.14	1882.80

COLD FINISHED ROUNDS



PRECISION

High Strength Distortion Free Ground and Polished
Shafting
AISI - C1045

Stock Lengths: Random 24 feet

PRECISION

Size (Inches)	Weight per Foot	Weight per 24' Bar	Size (Inches)	Weight per Foot	Weight per 24' Bar
1/4	0.167	4.008	1 15/16	10.02	240.48
5/16	0.261	6.264	2	10.68	256.32
3/8	0.376	9.024	2 1/8	12.06	289.44
7/16	0.511	12.264	2 3/16	12.78	306.72
1/2	0.668	16.032	2 1/4	13.52	324.48
9/16	0.845	20.28	2 5/16	14.28	342.72
5/8	1.04	24.96	2 3/8	15.06	361.44
11/16	1.26	30.24	2 7/16	15.87	380.88
3/4	1.50	36.00	2 1/2	16.69	400.56
13/16	1.76	42.24	2 11/16	19.29	462.96
7/8	2.04	48.96	2 3/4	20.20	484.80
15/16	2.35	56.40	2 13/16	21.12	506.88
1	2.67	64.08	2 15/16	23.04	552.96
1 1/16	3.01	72.24	3	24.03	576.72
1 1/8	3.38	81.12	3 1/4	28.21	677.04
1 3/16	3.77	90.48	3 7/16	31.55	757.20
1 1/4	4.17	100.08	3 1/2	32.71	785.04
1 5/16	4.60	110.40	3 3/4	37.55	901.20
1 3/8	5.05	121.20	3 15/16	41.40	993.60
1 7/16	5.52	132.48	4	42.73	1025.52
1 1/2	6.01	144.24	4 1/4	48.23	1157.52
1 9/16	6.52	156.48	4 7/16	52.58	1261.92
1 5/8	7.05	169.20	4 1/2	54.08	1297.92
1 11/16	7.60	182.40	4 15/16	65.10	1562.40
1 3/4	8.18	196.32	5 7/16	78.95	1844.80
1 13/16	8.77	210.48	5 15/16	94.14	2259.30
1 7/8	9.39	225.36			

7/16" and under random 10 - 12 feet

All precision bar 1 1/4" and over are supplied in fibre tubes

COLD FINISHED SQUARES



AISI - C1018

Size (Inches)	Weight per Foot	Weight per 12' Bar	Size (Inches)	Weight per Foot	Weight per 12' Bar
1/8	0.053	0.64	1	3.40	40.80
3/16	0.120	1.44	1 1/8	4.303	51.64
1/4	0.213	2.56	1 1/4	5.313	63.76
5/16	0.332	3.98	1 3/8	6.428	77.16
3/8	0.478	5.74	1 1/2	7.650	91.80
7/16	0.651	7.81	1 5/8	8.98	107.74
1/2	0.850	10.20	1 3/4	10.41	124.92
9/16	1.076	12.91	1 7/8	11.96	143.52
5/8	1.328	15.94	2	13.60	163.20
11/16	1.607	19.28	2 1/4	17.21	206.52
3/4	1.912	22.94	2 1/2	21.25	255.00
7/8	2.603	31.24	3	30.60	367.20
15/16	2.99	35.86			

COLD FINISHED SQUARES



STANDARD BLACK PIPE

ASTM - A53 Grade A or B

Continuous or Electric Resistance Welded

Stock Lengths: Single (21) and Double (40 ft) random

No laquer available

STANDARD BLACK PIPE

Size (Inches)	Diameters		Schedule	Thickness (Inches)	Weight per Foot	Weight per 21' Length
	External (Inches)	Internal (Inches)				
1/8	0.405	0.269	40	0.068	0.24	5.04
1/4	0.540	0.364	40	0.088	0.42	8.82
3/8	0.675	0.493	40	0.091	0.57	11.97
1/2	0.840	0.622	40	0.109	0.85	17.85
3/4	1.050	0.824	40	0.113	1.13	23.73
1	1.315	1.049	40	0.133	1.68	35.28
1 1/4	1.660	1.380	40	0.140	2.27	47.67
1 1/2	1.900	1.610	40	0.145	2.72	57.12
2	2.375	2.067	40	0.154	3.65	76.65
2 1/2	2.875	2.469	40	0.203	5.79	121.59
3	3.500	3.068	40	0.216	7.58	159.18
3 1/2	4.000	3.548	40	0.226	9.11	191.31
4	4.500	4.026	40	0.237	10.79	226.59
5	5.563	5.047	40	0.258	14.62	307.02
6	6.625	6.249	-	0.188	12.89	270.69
6	6.625	6.125	30	0.250	17.02	357.42
6	6.625	6.065	40	0.280	18.97	398.37
8	8.625	8.249	-	0.188	16.90	354.90
8	8.625	8.125	20	0.250	22.36	469.56
8	8.625	8.071	30	0.277	24.70	518.70
8	8.625	7.981	40	0.322	28.55	599.55
10	10.750	10.374	-	0.188	21.15	444.15
10	10.750	10.250	20	0.250	28.04	588.84
10	10.750	10.192	-	0.279	31.20	655.20
10	10.750	10.136	30	0.307	34.24	719.04
10	10.750	10.020	40	0.365	40.48	850.08
12	12.750	12.374	-	0.188	25.22	529.62
12	12.750	12.250	20	0.250	33.38	700.98
12	12.750	12.090	30	0.330	43.77	919.17
12	12.750	12.000	Std.	0.375	49.56	1040.76
12	12.750	11.938	40	0.406	53.52	1123.92
14	14.000	13.250	Std.	0.375	54.57	1145.97
16	16.000	15.250	Std.	0.375	62.58	1314.18
18	18.000	17.250	Std.	0.375	70.59	1482.39
20	20.000	19.250	Std.	0.375	78.60	1650.60
24	24.000	23.250	Std.	0.375	94.62	1987.02

EXTRA HEAVY BLACK PIPE (XS)



ASTM - A53 Grade A or B

Continuous or Electric Resistance Welded

Stock Lengths: Single (21) and Double (40 ft) random

No laquer available

Size (Inches)	Diameters		Thickness (Inches)	Weight per Foot	Weight per 21' Length
	External (Inches)	Internal (Inches)			
1/8	0.405	0.215	0.950	0.31	6.51
1/4	0.540	0.302	0.119	0.54	11.34
3/8	0.675	0.423	0.126	0.74	15.54
1/2	0.840	0.546	0.147	1.09	22.89
3/4	1.050	0.742	0.154	1.47	30.87
1	1.315	0.957	0.179	2.17	45.57
1 1/4	1.660	1.278	0.191	3.00	63.00
1 1/2	1.900	1.500	0.200	3.63	76.23
2	2.375	1.939	0.218	5.02	105.42
2 1/2	2.875	2.323	0.276	7.66	160.86
3	3.500	2.900	0.300	10.25	215.25
3 1/2	4.000	3.364	0.318	12.51	262.71
4	4.500	3.826	0.337	14.98	314.58
5	5.563	4.813	0.375	20.78	436.38
6	6.625	5.761	0.432	28.57	599.97
8	8.625	7.625	0.500	43.39	911.19
10	10.750	9.750	0.500	54.74	1149.54
12	12.750	11.750	0.500	65.42	1373.82

BLACK PIPE



DOUBLE EXTRA HEAVY BLACK PIPE (XXS)

ASTM - A53 Grade B or A106

Stock Lengths: Single (21) and Double (40 ft) random

BLACK PIPE

Size (Inches)	Diameters		Thickness (Inches)	Weight per Foot	Weight per 21' Length
	External (Inches)	Internal (Inches)			
1/2	0.840	0.252	0.294	1.71	35.91
3/4	1.050	0.434	0.308	2.44	51.24
1	1.315	0.599	0.358	3.66	76.86
1 1/4	1.660	0.896	0.382	5.21	109.41
1 1/2	1.900	1.100	0.400	6.41	134.61
2	2.375	1.503	0.436	9.03	189.63
2 1/2	2.875	1.771	0.552	13.70	287.70
3	3.500	2.300	0.600	18.58	390.18
3 1/2	4.000	2.728	0.636	22.85	479.85
4	4.500	3.152	0.674	27.54	578.34
5	5.563	4.063	0.750	38.55	809.55
6	6.625	4.897	0.864	53.16	1116.36
8	8.625	6.875	0.875	72.42	1520.82

HOLLOW STRUCTURAL SECTIONS SQUARE



ASTM A500 A,B,C or CSA G40.21 50W/350W

External Size (Inches)	Wall Thickness (Inches)	Weight per Foot
1 x 1	0.100	1.14
	0.125	1.35
1 1/4 x 1 1/4	0.100	1.48
	0.125	1.78
1 1/2 x 1 1/2	0.100	1.82
	0.125	2.21
	0.188	3.05
	0.250	4.42
2 x 2	0.100	2.50
	0.125	3.06
	0.188	4.33
	0.250	5.41
2 1/2 x 2 1/2	0.125	3.91
	0.188	5.61
	0.238	6.83
	0.250	7.11
3 x 3	0.125	4.76
	0.188	6.89
	0.250	8.81
	0.313	10.57
	0.375	12.17
3 1/2 x 3 1/2	0.125	5.60
	0.188	8.17
	0.250	10.51
	0.375	14.71
4 x 4	0.125	6.46
	0.188	9.45
	0.250	12.21
	0.313	14.82
	0.375	17.27

HOLLOW STRUCTURAL SECTIONS SQUARE

HOLLOW STRUCTURAL SECTIONS SQUARE



ASTM A500 A,B,C or CSA G40.21 50W/350W

HOLLOW STRUCTURAL SECTIONS SQUARE

External Size (Inches)	Wall Thickness (Inches)	Weight per Foot
5 x 5	0.500	21.63
	0.188	12.00
	0.250	15.62
	0.313	19.08
	0.375	22.37
6 x 6	0.500	28.43
	0.188	14.56
	0.250	19.02
	0.313	23.35
	0.375	27.48
7 x 7	0.500	35.24
	0.188	17.13
	0.250	22.42
	0.375	32.57
	8 x 8	0.188
0.250		25.82
0.313		31.84
0.375		37.69
0.500		48.45
10 x 10	0.250	32.60
	0.375	47.90
	0.500	62.20
12 x 12	0.250	39.43
	0.500	76.07

HOLLOW STRUCTURAL SECTIONS RECTANGULAR



ASTM A500 A,B,C or CSA G40.21 50W/350W

External Size (Inches)	Wall Thickness (Inches)	Weight per Foot
2 x 1	0.100	1.82
	0.125	2.21
	0.188	3.05
2 1/2 x 1 1/2	0.125	3.06
3 x 1	0.125	3.06
3 x 1 1/2	0.125	3.48
	0.188	4.96
3 x 2	0.125	3.91
	0.188	5.61
	0.250	7.11
4 x 2	0.125	4.76
	0.188	6.89
	0.250	8.81
	0.313	10.57
4 x 3	0.125	5.61
	0.188	8.17
	0.250	10.51
	0.313	12.69
	0.375	14.71
5 x 2	0.125	5.61
	0.188	8.17
	0.250	10.51
	0.313	12.69
5 x 2 1/2	0.375	14.71
5 x 3	0.125	8.80
	0.125	6.46
	0.188	9.45
	0.250	12.21
	0.313	14.82
6 x 2	0.375	17.27
	0.125	6.46
	0.150	7.66
	0.188	9.42
	0.250	12.21
	0.313	14.82
	0.375	17.26

HOLLOW STRUCTURAL SECTIONS RECTANGULAR



HOLLOW STRUCTURAL SECTIONS RECTANGULAR

ASTM A500 A,B,C or CSA G40.21 50W/350W

HOLLOW STRUCTURAL SECTIONS RECTANGULAR

External Size (Inches)	Wall Thickness (Inches)	Weight per Foot
6 x 3	0.125	7.31
	0.188	10.70
	0.250	13.91
	0.313	16.95
	0.375	19.82
6 x 4	0.188	12.00
	0.250	15.62
	0.313	19.08
	0.375	22.37
	0.500	28.43
7 x 4	0.188	13.25
	0.250	17.31
	0.313	21.20
	0.375	24.92
7 x 5	0.188	14.52
	0.250	19.01
	0.313	23.33
	0.375	27.47
	0.500	35.22
8 x 2	0.188	12.00
	0.250	15.62
8 x 3	0.188	13.28
	0.250	17.32
	0.375	24.93
8 x 4	0.188	14.56
	0.250	19.02
	0.313	23.33
	0.375	27.48
	0.500	35.22

HOLLOW STRUCTURAL SECTIONS RECTANGULAR



ASTM A500 A,B,C or CSA G40.21 50W/350W

External Size (Inches)	Wall Thickness (Inches)	Weight per Foot
8 x 6	0.188	17.13
	0.250	22.42
	0.313	27.63
	0.375	32.58
	0.500	42.05
9 x 7	0.250	25.83
	0.375	37.69
10 x 4	0.375	35.58
	0.188	17.08
	0.250	22.42
	0.313	27.58
	0.375	32.57
10 x 6	0.500	42.03
	0.188	19.63
	0.250	25.82
	0.313	31.84
	0.375	37.68
10 x 8	0.500	48.83
	0.250	29.22
	0.313	36.09
	0.375	42.78
	0.500	55.64
12 x 4	0.250	25.82
	0.313	31.84
	0.375	37.68
	0.500	48.83
12 x 6	0.250	29.22
	0.313	36.09
	0.375	42.78
	0.500	55.64
12 x 8	0.250	32.63
	0.313	40.35
	0.375	47.89
	0.500	62.45
16 x 8	0.375	58.10

HOLLOW STRUCTURAL SECTIONS RECTANGULAR

HSS ROUND

ASTM A500 A, B, C or CSA G40.21 50W/350W

HSS ROUND

OD (Inches)	Wall Thick- ness (Inches)	Weight per Foot	OD (Inches)	Wall Thick- ness (Inches)	Weight per Foot	
1.050	0.100	1.02		0.210	9.63	
	0.125	1.24		0.250	11.36	
	0.134	1.60		0.313	14.01	
1.315	0.100	1.30	5.000	0.375	16.54	
	0.125	1.59		0.134	6.97	
1.660	0.100	1.67		0.150	7.78	
	0.125	2.05		0.188	9.67	
1.900	0.100	1.92		0.250	12.69	
	0.125	2.38		0.313	15.69	
	0.150	2.81		0.375	18.54	
2.000	0.188	3.45	5.562	0.188	10.80	
	0.100	2.03		0.250	14.20	
	0.125	3.01		0.313	17.60	
2.375	0.150	2.96	6.000	0.134	8.41	
	0.188	3.64		0.150	9.38	
	0.100	2.43		0.188	11.68	
2.875	0.125	3.01		0.250	15.37	
	0.150	3.57		0.313	19.03	
	0.188	4.40		0.375	22.55	
	0.250	5.68		6.625	0.188	13.00
	0.125	3.68		0.250	17.00	
3.000	0.150	4.37		0.313	21.10	
	0.188	5.40		0.375	25.10	
	0.250	7.01		8.625	0.188	17.00
	0.125	3.84		0.250	22.40	
3.500	0.134	4.10		0.313	27.80	
	0.150	4.57		0.375	33.10	
	0.188	5.66		0.438	38.40	
	0.250	7.35		0.500	43.40	
	0.150	5.37		10.750	0.250	33.40
	0.188	6.66		0.313	34.90	
3.750	0.210	7.39		0.375	41.60	
	0.250	8.69		0.438	48.30	
	0.313	10.66		0.500	54.80	
	0.100	3.90		12.750	0.250	33.40
	0.110	4.28		0.313	41.60	
	0.125	4.85		0.375	49.60	
4.000	0.134	5.18		0.438	57.70	
	0.150	5.78		0.500	65.50	
	0.188	7.16		14.000	0.250	36.80
	0.210	7.95		0.313	45.80	
	0.250	9.36		0.375	54.70	
	0.125	5.17		0.438	63.50	
4.500	0.134	5.53		0.500	72.20	
	0.150	6.16		16.000	0.250	41.20
	0.188	7.67		0.313	52.50	
	0.210	8.51		0.375	62.70	
	0.250	10.02		0.438	72.90	
	0.313	12.34		0.500	82.90	
4.500	0.188	8.68				

ERW ROUND

C1010 - C1015

OD (inches)	Wall Thickness (Inches)	Weight per Foot	Weight per 20'
0.500	0.63	0.320	6.40
0.625	0.63	0.378	7.56
0.750	0.63	0.480	9.60
	0.95	0.670	13.40
0.875	0.63	0.560	11.20
1.000	0.63	0.650	13.00
	0.95	0.920	18.40
1.250	0.63	0.820	16.40
1.500	0.65	1.000	20.00
	0.95	1.430	28.60
1.625	0.95	1.550	31.00
1.750	0.65	1.170	23.40
	0.95	1.680	33.60
2.000	0.65	1.340	26.80

ERW RECTANGLE

C1010 - C1015

OD (inches)	Gauge	Wall Thickness (Inches)	Weight per Foot
1/2 x 1	18	0.049	0.47
	16	0.065	0.61
1/2 x 1 1/2	18	0.049	0.63
	16	0.065	0.83
	14	0.083	1.04
3/4 x 1 1/2	16	0.065	0.94
3/4 x 1 3/4	16	0.065	1.05
1 x 1 1/2	16	0.065	1.05
	14	0.083	1.32
	18	0.049	0.97
1 x 2	16	0.065	1.27
	14	0.083	1.60
	16	0.065	1.38
1 1/4 x 2	16	0.065	1.38
1 1/2 x 2 1/2	14	0.083	2.16
1 1/2 x 3	16	0.065	1.93
	14	0.083	2.45

ERW ROUND & ERW RECTANGLE

ERW SQUARE

C1010 - C1015

ERW SQUARE	OD (inches)	Gauge	Wall Thick- ness (Inches)	Weight per Foot	OD (inches)	Gauge	Wall Thick- ness (Inches)	Weight per Foot
		1/2	18	0.049	0.30	1 3/4	18	0.049
		16	0.065	0.39		16	0.065	1.43
	5/8	18	0.049	0.43		14	0.083	1.81
		16	0.065	0.56		11	0.120	2.57
		14	0.083	0.70	1 7/8	18	0.049	1.16
	3/4	18	0.049	0.50		16	0.065	1.56
		16	0.065	0.65		14	0.083	1.98
		14	0.083	0.81		11	0.120	2.81
	7/8	18	0.049	0.53	2	18	0.049	1.28
		16	0.065	0.69		16	0.065	1.69
		14	0.083	0.98		14	0.083	2.14
	1	18	0.049	0.63		11	0.120	3.05
		16	0.065	0.82	2 1/8	18	0.049	1.34
		14	0.083	1.03		16	0.065	1.77
		11	0.120	1.45		14	0.083	22.5
	1 1/8	18	0.049	0.69		11	0.120	3.21
		16	0.065	0.91	2 1/4	18	0.049	1.41
		14	0.083	1.15		16	0.065	1.86
		11	0.120	1.61		14	0.083	2.36
	1 1/4	18	0.049	0.82		11	0.120	3.38
		16	0.065	1.08	2 1/2	18	0.049	1.54
		14	0.083	1.37		16	0.065	2.04
		11	0.120	1.93		14	0.083	2.59
	1 3/8	18	0.049	0.86		11	0.120	3.69
		16	0.065	1.13	3	16	0.065	2.59
		14	0.083	1.42		14	0.083	3.29
		11	0.120	2.01		11	0.120	4.70
	1 1/2	18	0.049	0.96		9	0.148	5.74
		16	0.065	1.26	3 1/2	14	0.083	3.84
		14	0.083	1.59		11	0.120	5.50
		11	0.120	2.25		9	0.148	6.73
	1 5/8	18	0.049	1.02	4	14	0.083	4.41
		16	0.065	1.34		11	0.120	6.31
		14	0.083	1.70		9	0.148	7.73
		11	0.120	2.41				

EXPANDED METAL SHEETS (STEEL)

This material has advantages in savings in weight and metal, free passage of light and air and spilled liquids and a decorative effect.

Applications include machinery guards, walkways and catwalk gratings, shelving, partitions, grilles, screens, panels, etc.

STANDARD RAISED MESH

Style No. (Use for ordering)	Approx. Wt. per Sheet	Center to Centre of Bridges		Size of Openings		Strand		% Open Area
		A SWD	B LWD	C SWD	D LWD	E Thick	F Width	
C 3/16 – 20R	29	0.200	0.500	0.080	0.313	0.036	0.063	40-44
C 1/4 – 20R	27	0.250	1.000	0.125	0.718	0.036	0.072	46-58
C 5/16 – 18R	33	0.292	0.750	0.108	0.563	0.048	0.087	48-54
C 1/2 – 18R	22	0.500	1.200	0.438	0.938	0.048	0.082	72-78
C 1/2 – 16R	25	0.500	1.200	0.375	0.938	0.060	0.087	61-65
C 1/2 – 13R	47	0.500	1.200	0.312	0.938	0.090	0.096	52-58
C 3/4 – 16R	17	0.923	2.000	0.813	1.750	0.060	0.099	84-88
C 3/4 – 13R	26	0.932	2.000	0.750	1.680	0.090	0.098	76-80
C 3/4 – 9 (10G)R	58	0.932	2.000	0.688	1.500	0.135	0.149	65-70
C 1 – 16R	20	1.125	2.375	0.844	1.690	0.060	0.124	76-81
C 1 – 14R	24	1.125	2.375	0.875	1.563	0.075	0.122	75-79
C 1 – 12R	33	1.125	2.375	0.907	1.563	0.105	0.109	71-75
C 1 – 10HR	64	1.125	2.375	0.750	1.563	0.135	0.188	67-71
C 1 – 10HR*	64	1.125	2.375	0.750	1.563	0.135	0.178	67-71
C 1 – 10LR	54	1.125	2.375	0.875	1.563	0.135	0.159	67-71
C 1 1/2 – 14R	11	1.330	3.000	1.320	2.630	0.075	0.075	90-93
C 1 1/2 – 13R	19	1.330	3.000	1.188	2.500	0.090	0.107	85-88
C 1 1/2 – 12R	19	1.330	3.000	1.112	2.375	0.105	0.109	81-85
C 1 1/2 – 9 (10G)R	38	1.330	3.000	1.125	2.375	0.135	0.142	77-80
C 1 1/2 – 10LR	54	1.330	3.000	1.130	2.470	0.135	0.213	72-76
C 1 1/2 – 10HR	64	1.330	3.000	0.830	2.375	0.135	0.240	70-74

EXPANDED METAL SHEETS

Stock size for all above is 4' SWD x 8' LWD
H = Heavy G = Gauge L = Light R = Raised
*8' SWD x 4' LWD

EXPANDED METAL SHEETS

(STEEL)

All weights and dimensions shown are approximate. Most styles of expanded metal sheets can be readily galvanized. Please contact our sales department for styles not listed of for your specific requirements.

FLATTENED MESH

EXPANDED METAL SHEETS

Style No. (Use for ordering)	Ap- prox. Wt. per Sheet	Center to Centre of Bridges		Size of Openings		Strand		% Open Area
		A SWD	B LWD	C SWD	D LWD	E Thick	F Width	
C 3/16 – 20F	28	0.218	0.500	0.094	0.343	0.032	0.063	39-43
C 1/4 – 20F	26	0.250	1.050	0.084	0.715	0.030	0.079	30-45
C 5/16 – 18F	30	0.375	0.750	0.191	0.563	0.040	0.092	43-47
C 1/2 – 18F	21	0.500	1.250	0.313	1.000	0.040	0.097	53-57
C 1/2 – 16F	24	0.500	1.250	0.313	1.000	0.050	0.096	53-57
C 1/2 – 13F	45	0.500	1.250	0.375	1.000	0.070	0.110	50-56
C 3/4 – 16F	17	0.923	2.100	0.750	1.750	0.048	0.110	74-78
C 3/4 – 13F	24	0.923	2.100	0.688	1.781	0.070	0.108	72-77
C 3/4 – 9 (10G)F	56	0.923	2.100	0.563	1.688	0.120	0.165	63-69
C 1 – 16F	19	1.312	2.375	1.000	2.000	0.051	0.132	73-76
C 1 – 14F	23	1.312	2.375	1.000	2.000	0.070	0.125	70-75
C 1 – 12F	32	1.312	2.375	1.000	2.000	0.085	0.156	66-71
C 1 – 10LF	53	1.312	2.375	1.000	2.000	0.120	0.165	58-64
C 1 1/2 – 14F	10	1.330	3.200	1.060	2.750	0.067	0.124	79-85
C 1 1/2 – 13F	18	1.330	3.200	1.060	2.750	0.070	0.120	77-82
C 1 1/2 – 12F	18	1.330	3.200	1.296	2.625	0.085	0.110	78-82
C 1 1/2 – 9 (10G)F	36	1.330	3.200	1.000	2.560	0.110	0.158	72-78
C 1 1/2 – 10LF	53	1.330	3.200	1.000	2.690	0.120	0.175	65-69

STANDARD RAISED MESH

Style No. (Use for ordering)	Ap- prox. Wt. per Sheet	Center to Centre of Bridges		Size of Openings		Strand		% Open Area
		A SWD	B LWD	C SWD	D LWD	E Thick	F Width	
3 lb Grating	96	1.330	5.330	0.940	3.440	0.183	0.264	60
4 lb Grating	128	1.330	5.330	0.940	3.440	0.215	0.300	55
5 lb Grating	160	1.330	5.330	0.813	3.380	0.250	0.331	50
6.25 lb Grating	200	1.410	5.330	0.813	3.380	0.250	0.410	50

Stock size for all above is 4' SWD x 8' LWD

WELDED BAR GRATINGS

Standard Flowforge W19-4

Size (inches)	Panel Size	Approx. Wt. per Sq Ft	Approx Wt Per Panel
1 x 1/8	36" x 288"	5.03	362.00
1 x 3/16	36" x 288"	7.24	521.28
1 1/4 x 1/8	36" x 288"	6.13	441.00
1 1/4 x 3 16*	36" x 288"	8.89	640.08
1 1/2 x 3/16*	36" x 288"	10.51	757.00

ROUND DEFORMED REINFORCING (IMPERIAL)

Stock Lengths: 20 feet and 40 feet

Size (Inches)	Weight per Foot	Weight per 20' Bar
#2 – 1/4*	0.167	3.34
#3 – 3/8	0.376	7.52
#4 – 1/2	0.668	13.36
#5 – 5/8	1.043	20.86
#6 – 3/4	1.502	30.04
#7 – 7/8	2.044	40.88
#8 – 1	2.670	53.40
#9 – 1	3.400	68.00
#10 – 1 1/8	4.303	86.06
#11 – 1 1/4	5.313	106.26

*Quarter inch bars are plain Merchant Bar quality rounds and are not not deformed.

ROUND DEFORMED REINFORCING (METRIC)

CSA G30.12 M Grade 300

Stock Lengths: 6 metres and 12 metres

Size	Weight per Foot	Weight per 20' Bar
10 m	0.528	10.56
15 m	1.055	21.10
20 m	1.583	31.66
25 m	2.638	52.76

WELDED BAR GRATINGS

